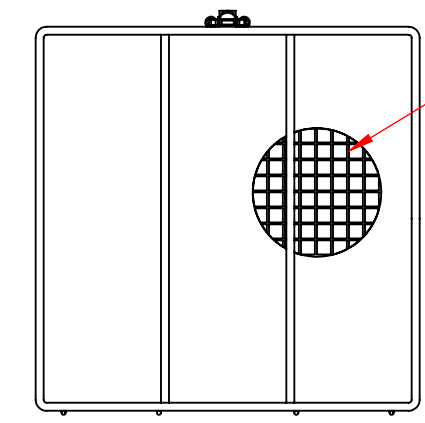
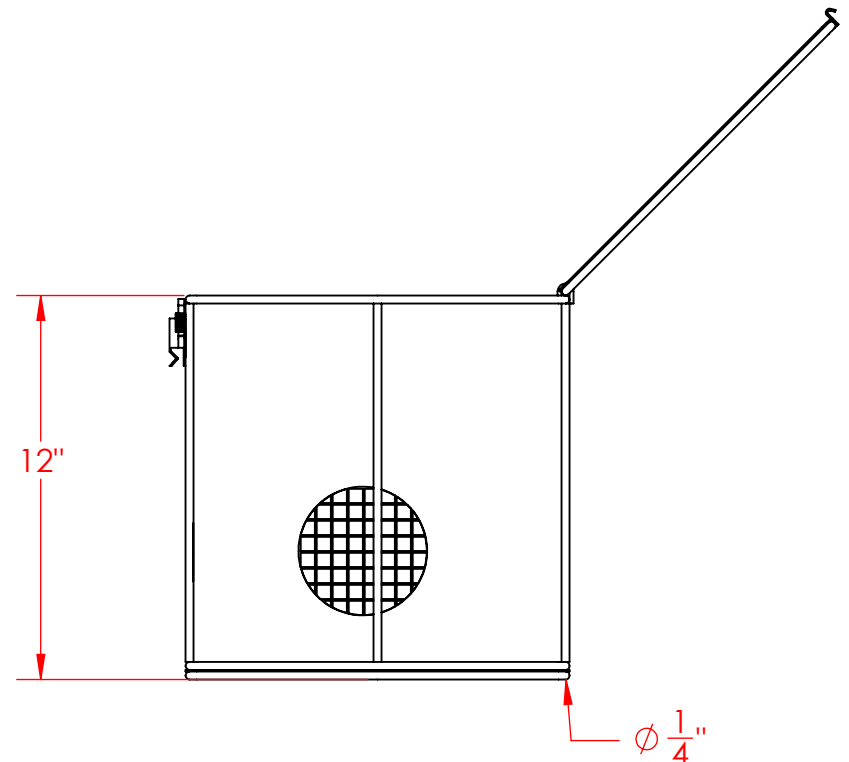
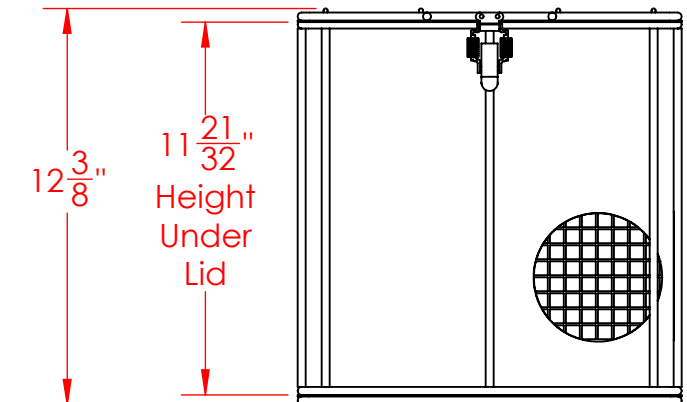
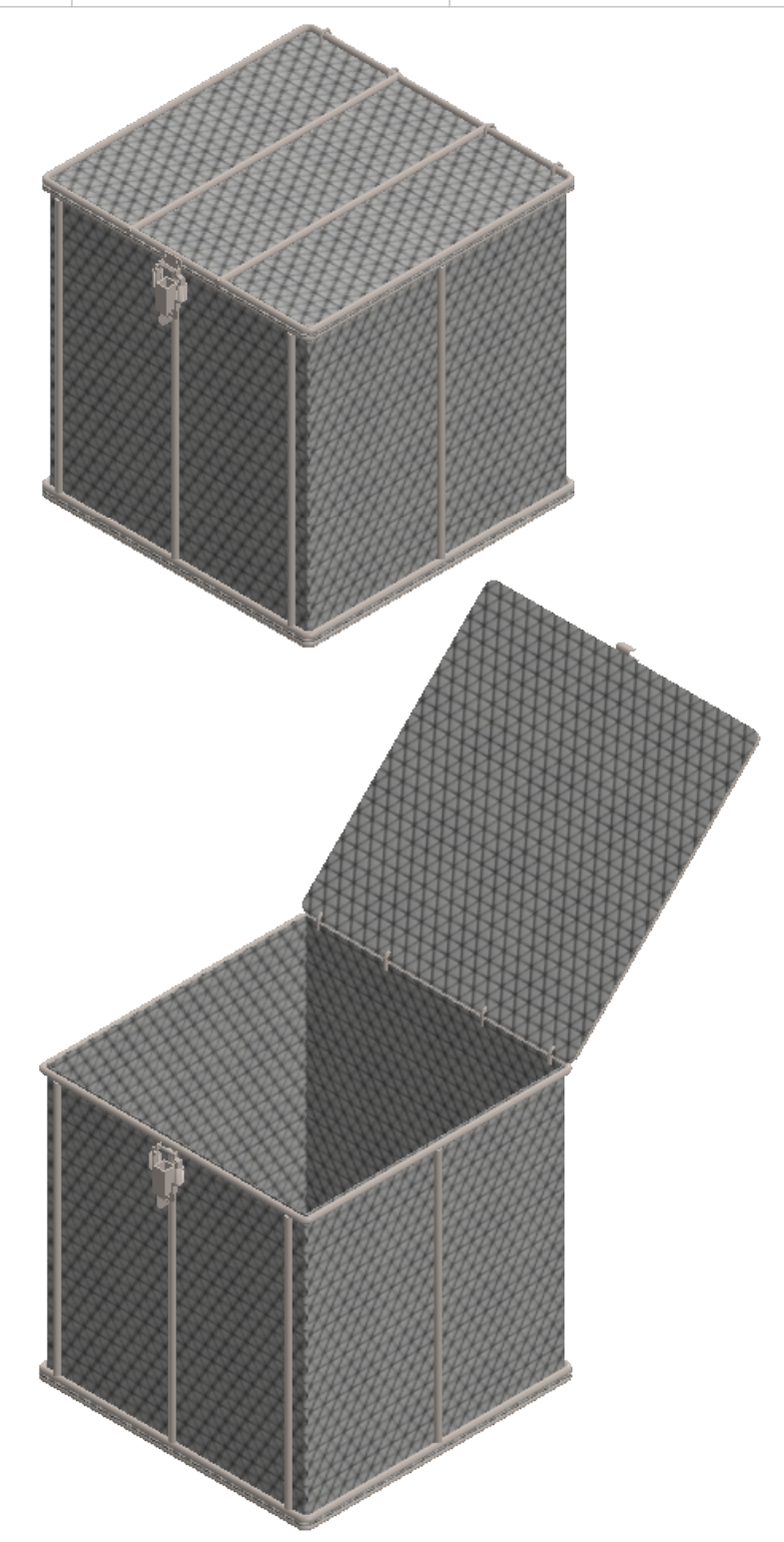


Lid Hidden in this View for Clarity



Lined Bottom, Sides, and Lid with 2 Mesh x .063" Welded Wire (.437" Openings, 76% Open Area)



UNLESS OTHERWISE SPECIFIED:	
DIMENSIONS ARE IN INCHES	
TOLERANCES:	
FRACTIONAL $\pm 1/16$ "	
ANGULAR: ± 5 DEG.	
TWO PLACE DECIMAL ± 0.03	
THREE PLACE DECIMAL ± 0.015	
EST WGT	7.6 lbs.
MATERIAL	304 Stainless Steel
FINISH	Natural
DO NOT SCALE DRAWING	

Rectangular Wire Mesh Basket:
 12Lx12Wx12H, 304 SS, 1/4 Rod Frame,
 Hinged Lid with Latch, Mesh: 2 x .063

PROPRIETARY AND CONFIDENTIAL
 THE INFORMATION CONTAINED IN THIS DRAWING IS THE SOLE PROPERTY OF THREE M TOOL. ANY REPRODUCTION IN PART OR AS A WHOLE WITHOUT THE WRITTEN PERMISSION OF THREE M TOOL IS PROHIBITED.

SIZE **B** DWG. NO. TMT-120120120-P02S

SCALE: 1:6

SHEET 1 OF 1